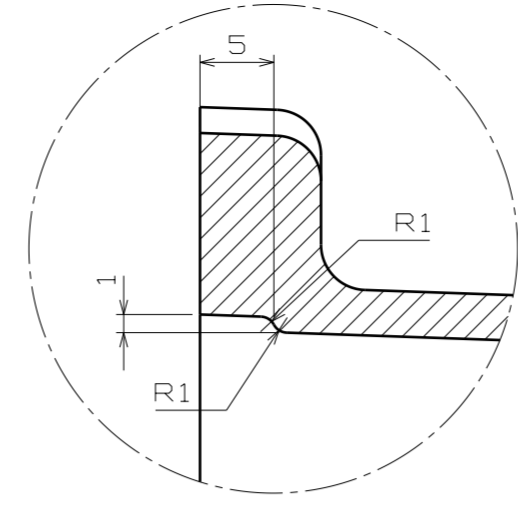
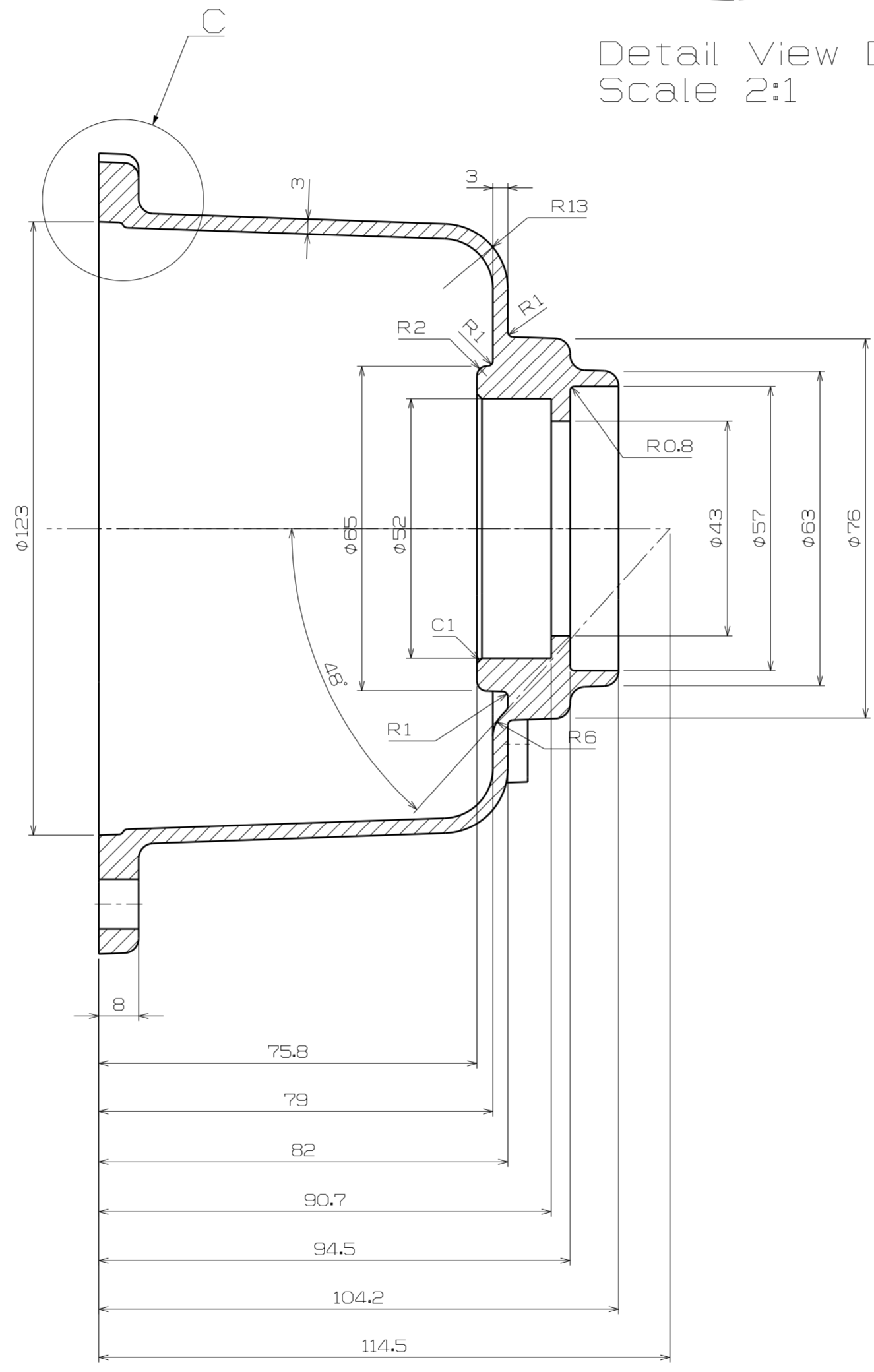


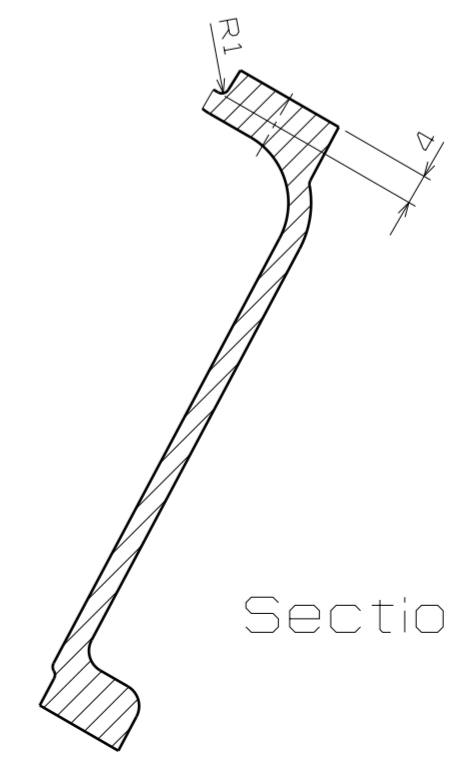
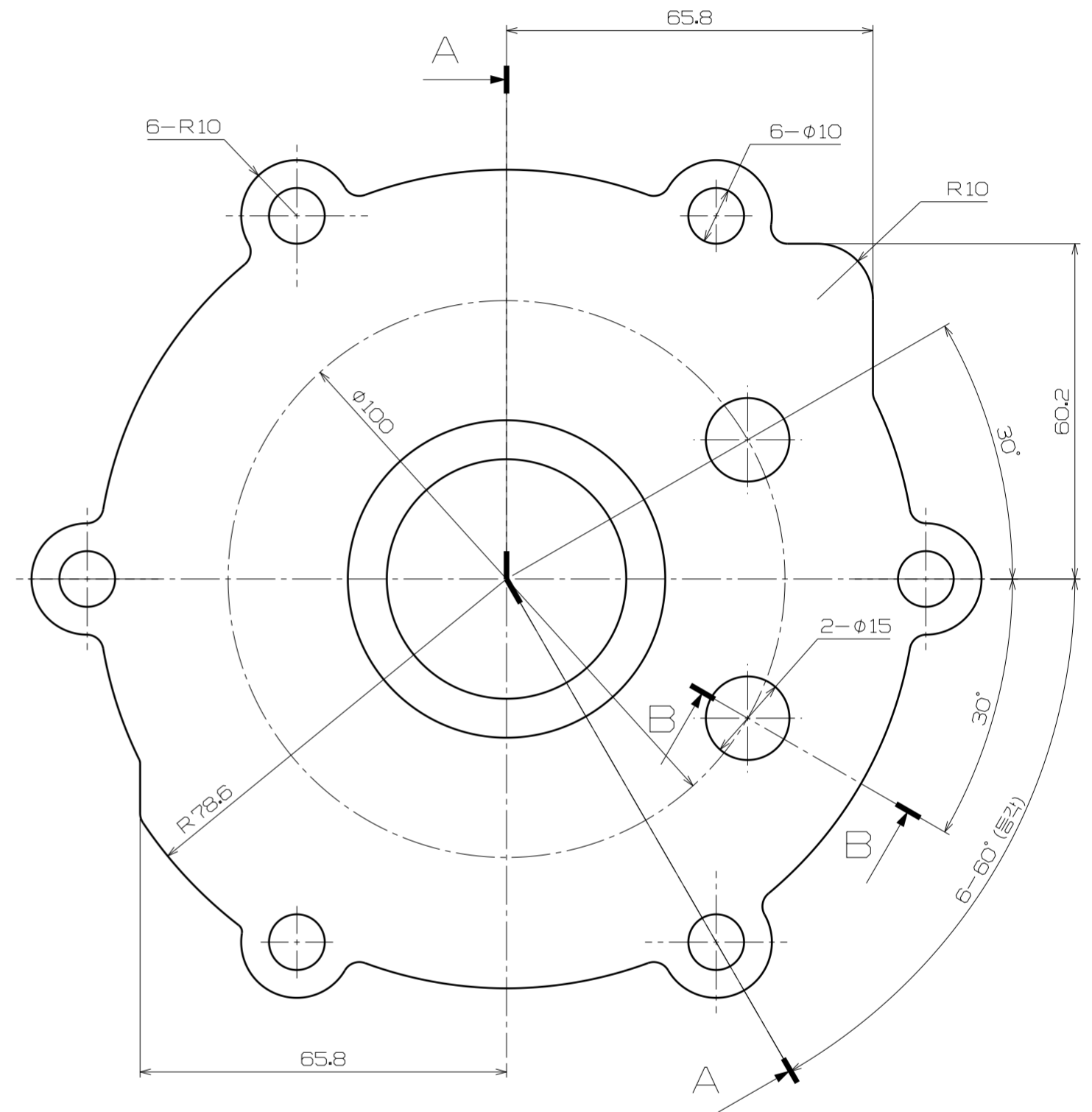
Section Cut C-C



Detail View D
Scale 2:1



Section Cut A-A



Section Cut B-B

NOTE
1. Unspecified Fillet Radius : R3
2. Draft Angle : 2deg

