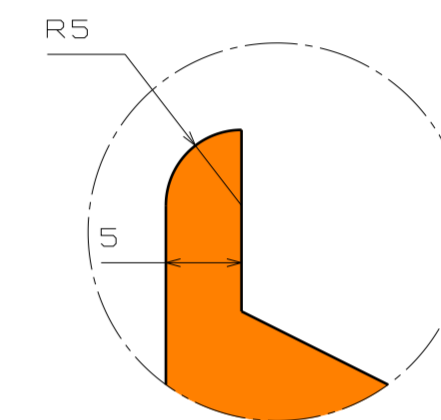
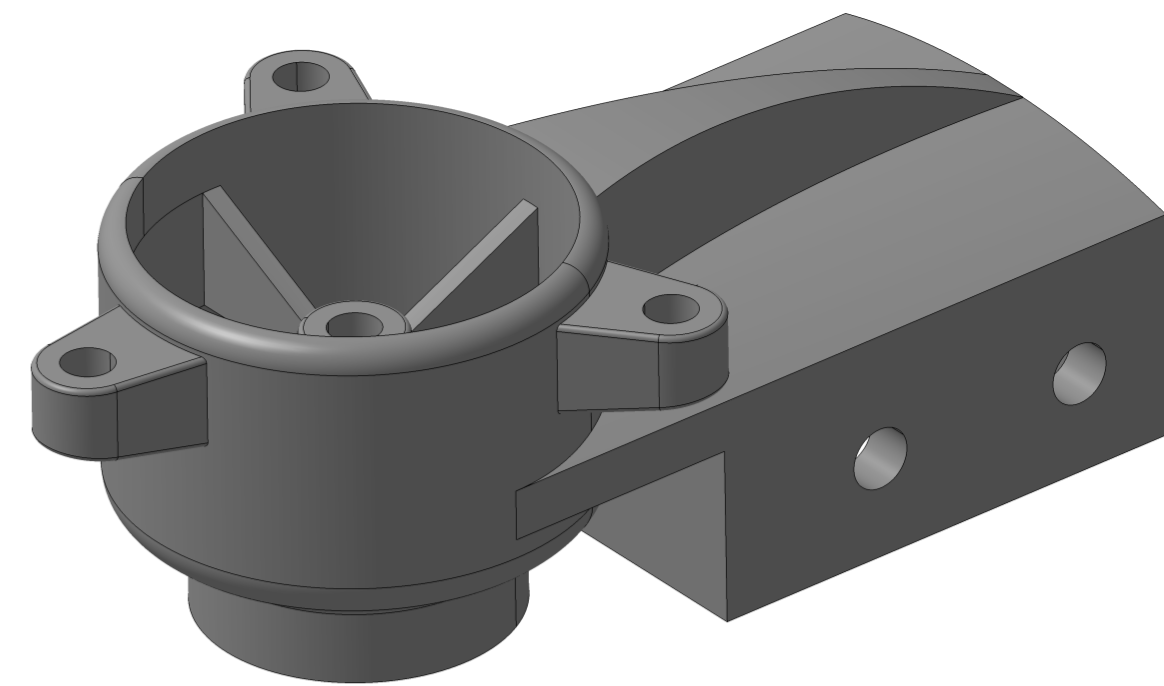
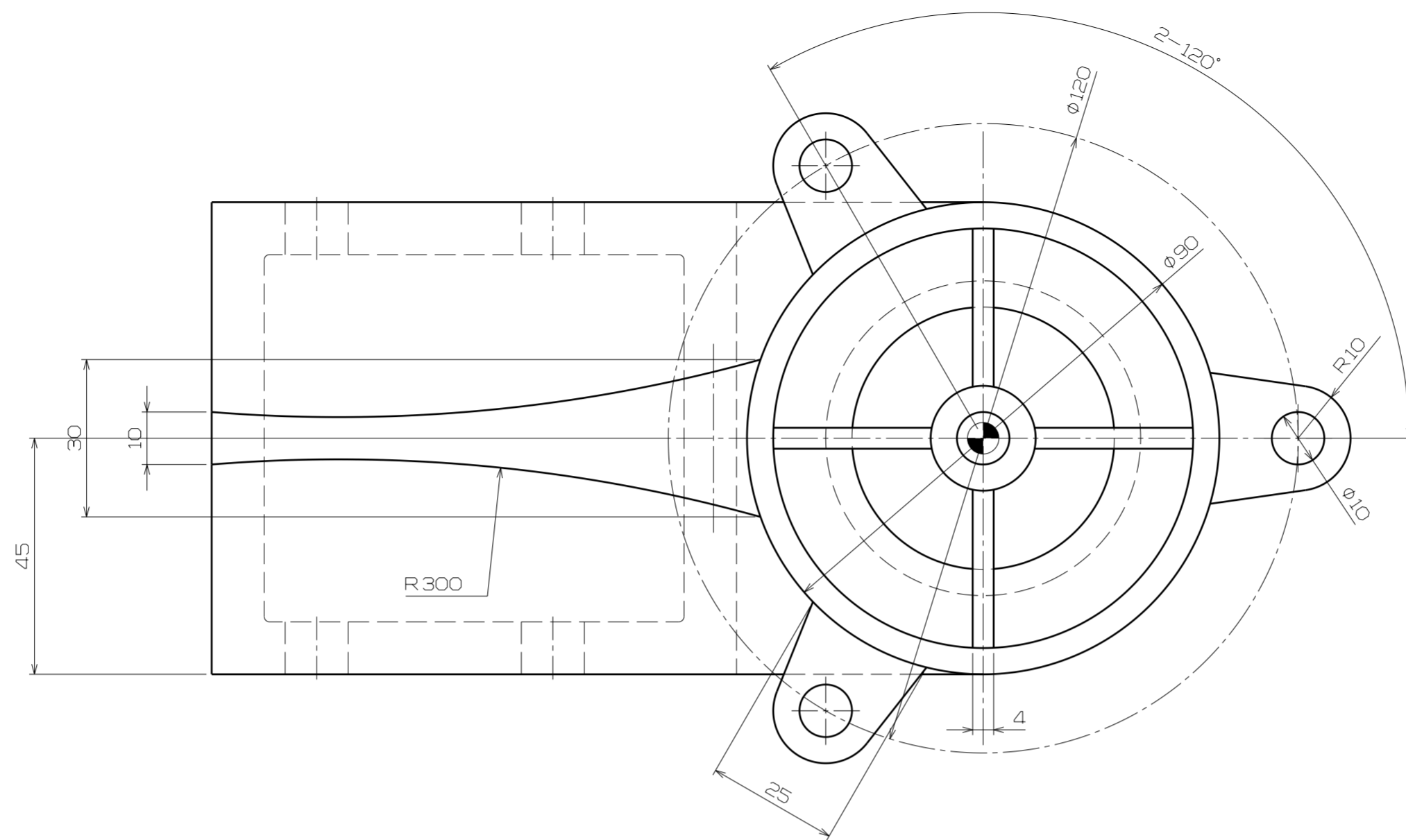
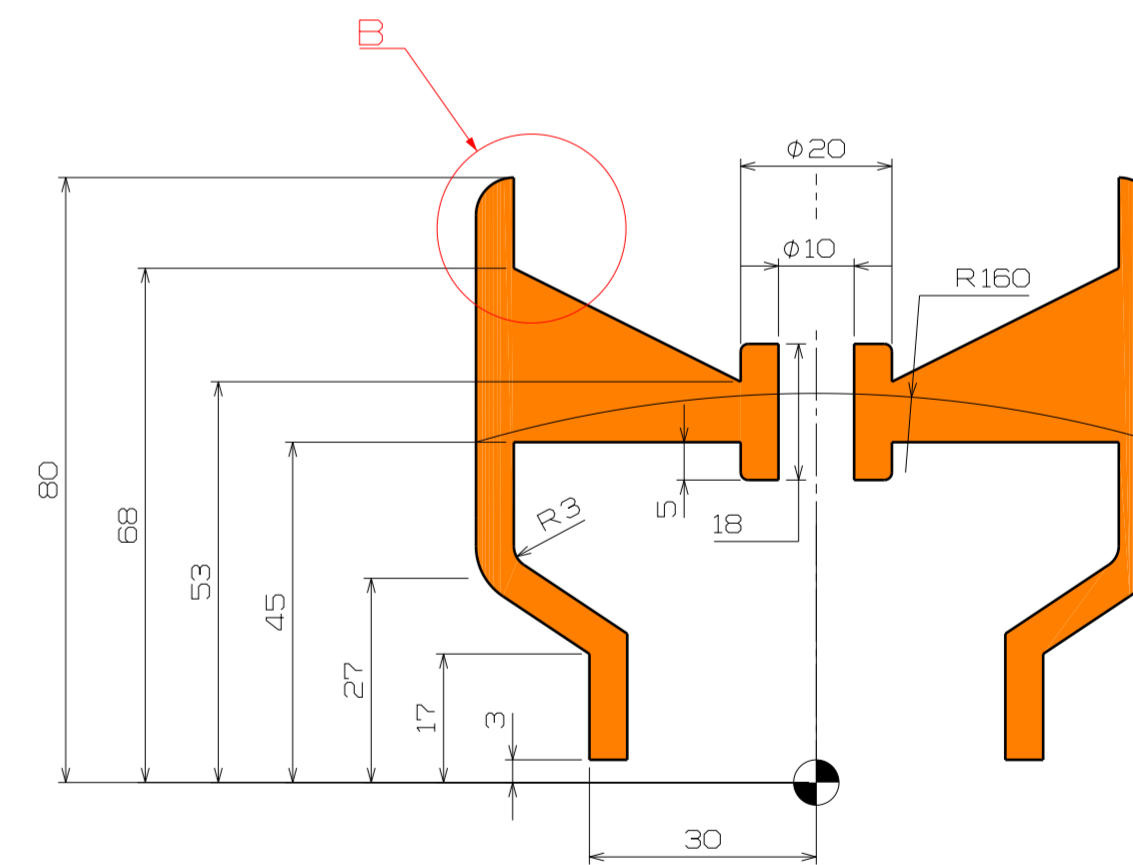
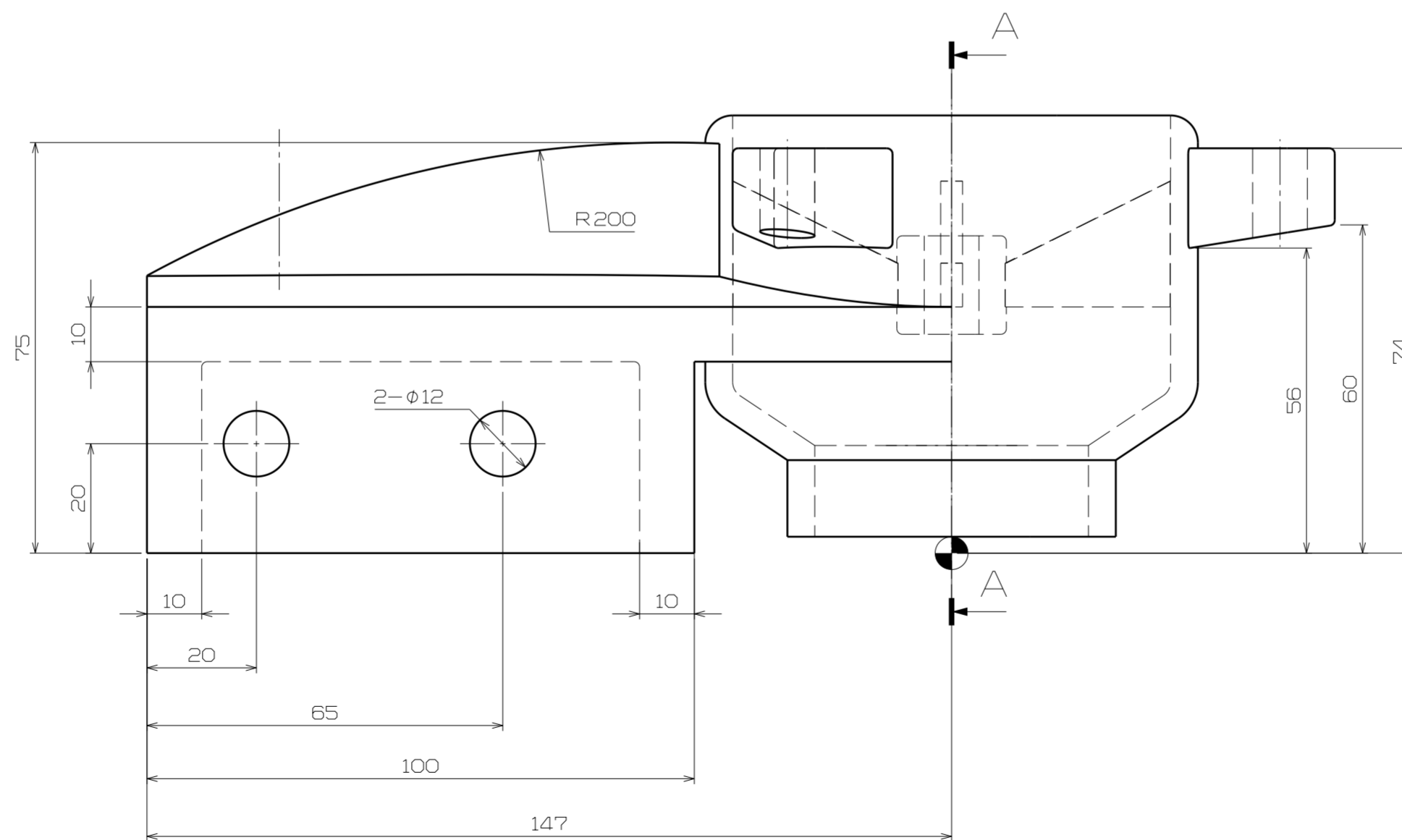
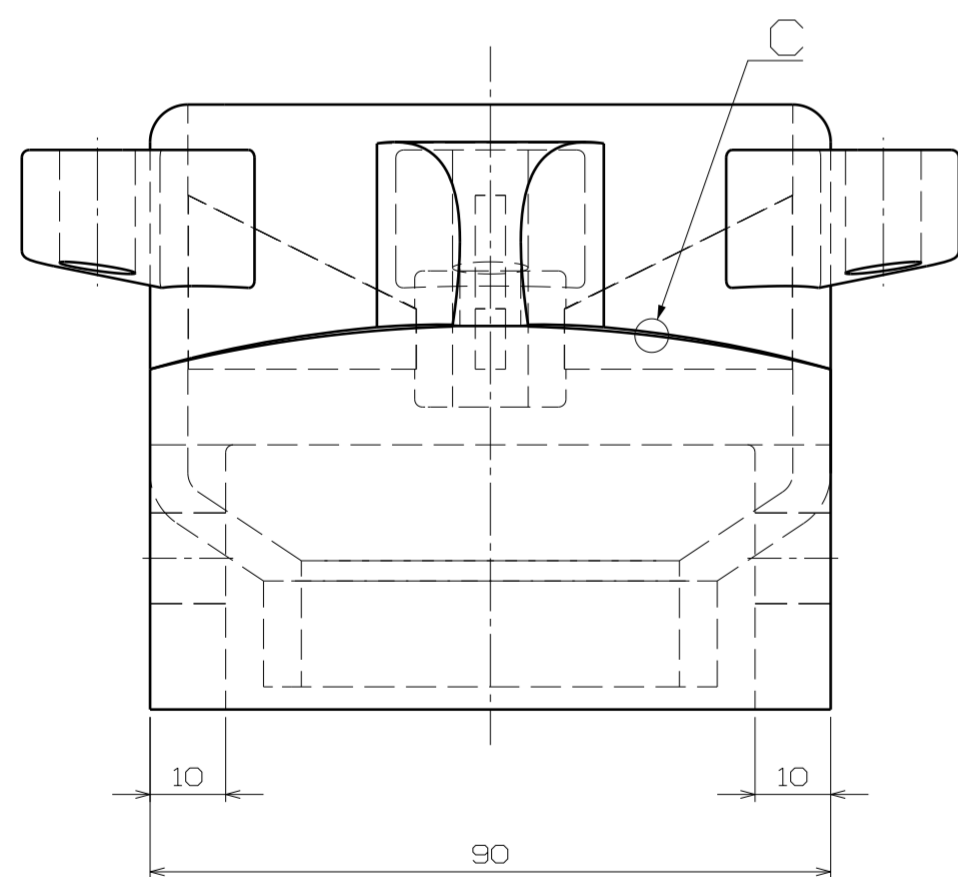


Detail View C  
Scale 10:1



Detail View B  
Scale 2:1



Section View A-A

NOTE  
1. Unspecified Fillet Radius : R1