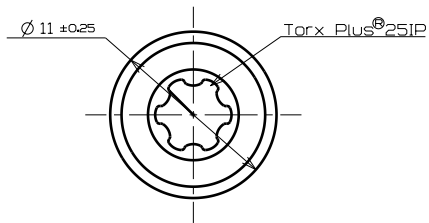
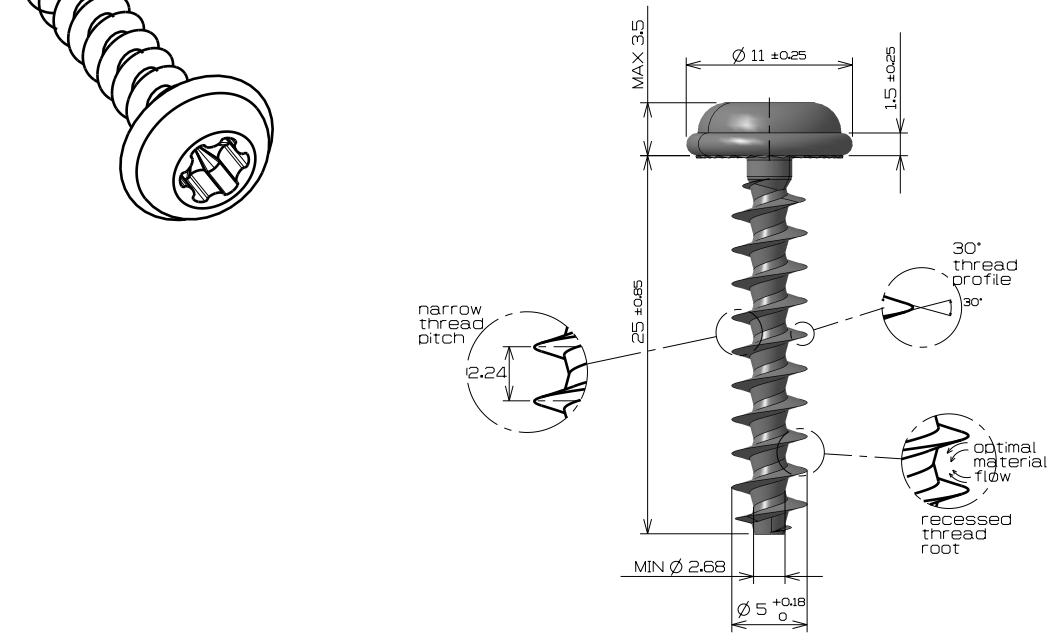


SERRATION



$\varnothing 11 \pm 0.25$

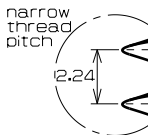
Torx Plus® 25JP



MAX 3.5

$\varnothing 11 \pm 0.25$

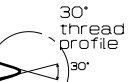
1.5 ± 0.25



narrow
thread
pitch

2.24

25 ± 0.68



30°
thread
profile

30°

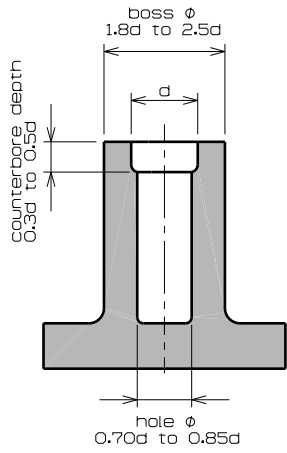


optimal
material
flow

recessed
thread
root

MIN $\varnothing 2.68$

$\varnothing 5^{+0.18}_0$



counterbore depth
0.3d to 0.5d

boss \varnothing
1.8d to 2.5d

d

hole \varnothing
0.70d to 0.85d