

D

C

B

A

4

4

3

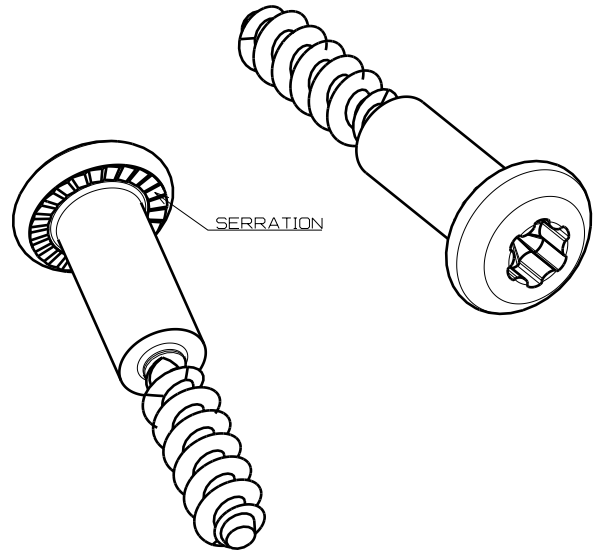
3

2

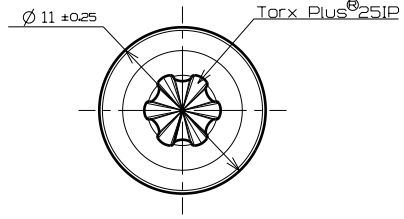
2

1

1

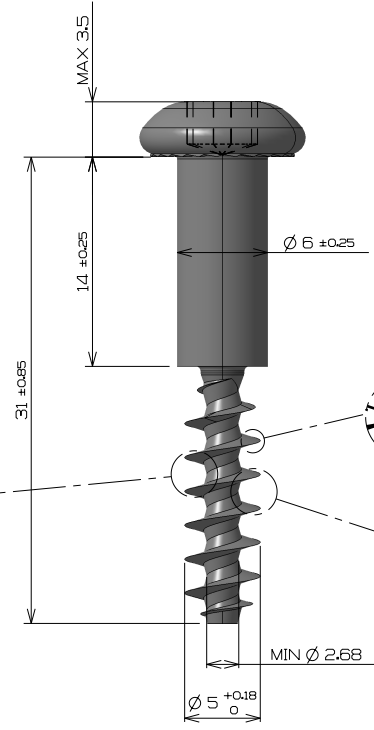


SERRATION



$\varnothing 11 \pm 0.25$

Torx Plus® 251P



MAX 3.5

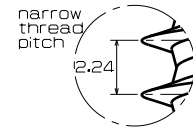
14 ± 0.25

$\varnothing 6 \pm 0.25$

31 ± 0.65

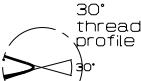
$\varnothing 5 \begin{smallmatrix} +0.18 \\ 0 \end{smallmatrix}$

MIN $\varnothing 2.68$



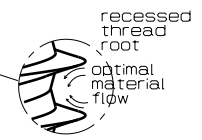
narrow
thread
pitch

2.24



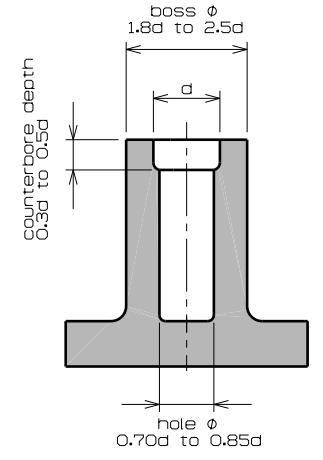
30°
thread
profile

30°



recessed
thread
root

optimal
material
flow



counterbore depth
0.3d to 0.5d

boss \varnothing
1.8d to 2.5d

d

hole \varnothing
0.70d to 0.85d

D

A